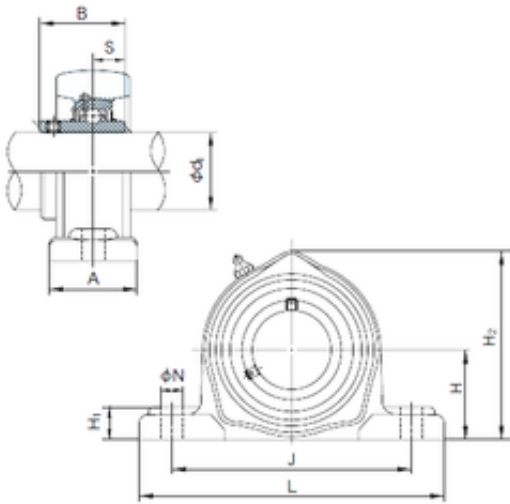




Linna.

NACHI UCPK210 unit é s de roulement

Bearing No. UCPK210



UCPK210 Bearing 2D drawings and 3D CAD models

Bore Diameter	50 mm
Width	51.6 mm
d	50 mm
A	55 mm
B	51.6 mm
H	57.2 mm
H1	22 mm
H2	120 mm
J	159 mm
L	200 mm
N	19 mm
S	19 mm
Bolt (G)	M16