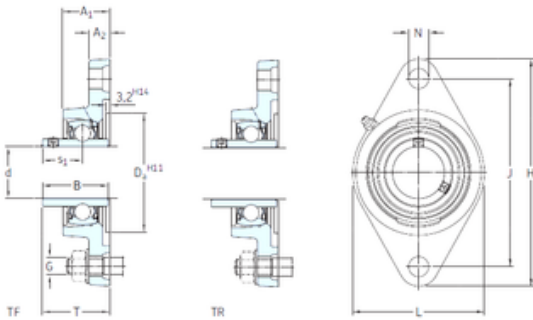




**Linna.**

### SKF FYTB 45 TR unit é s de roulement

Bearing No. FYTB 45 TR



FYTB 45 TR Bearing 2D drawings and 3D CAD models

Bore Diameter	45 mm
d	45 mm
Da	98,4 mm
s1	30,2 mm
A1	39 mm
B	49,2 mm
G	14 mm
H	178,5 mm
J	148,5 mm
L	111 mm
N	16 mm
T	54,2 mm
A2	14 mm
Weight	1,8 Kg
Basic dynamic load rating (C)	33,2 kN
Basic static load rating (C0)	21,6 kN
Fatigue load limit (Pu)	0,915
Category	Bearings
Inventory	0.0
Manufacturer Name	SKF
Minimum Buy Quantity	N/A
Weight / Kilogram	0
Product Group	M06110
Housing material	Cast iron
D <sub>a</sub>	98.4 mm
D <sub>b1</sub>	102 mm



## Linna.

$D_{b2}$	111 mm
A	39 mm
$A_1$	14 mm
$A_3$	3.2 mm
$A_5$	23 mm
$B_4$	8 mm
$s_1$	30.2 mm
$R_G$	1/4-28 UNF
$R_1$	24.5 mm
R	45 °
$D_N$	6.5 mm
$SW_N$	7 mm
$G_N$	1/4-28 SAE-LT
$J_6$	120.5 mm
$J_7$	18 mm
$N_4$	2 mm
Basic dynamic load rating C	33.2 kN
Basic static load rating $C_0$	21.6 kN
Fatigue load limit $P_u$	0.915 kN
Limiting speed	2400 r/min
Mass bearing unit	1.7 kg
Thread grub screw $G_2$	M8x1
Hexagonal key size for grub screw N	4 mm
Recommended tightening torque for grub screw	6.5 N · m
Recommended diameter for attachment bolts, mm G	14 mm
Recommended diameter for attachment bolts, inch G	0.5625 in