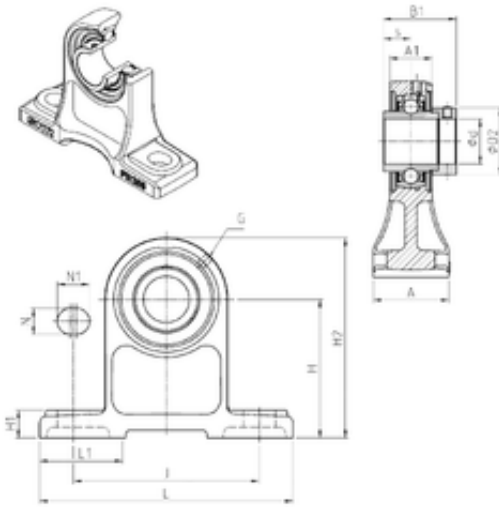




**Linna.**

## SNR EXPH204 unit é s de roulement

Bearing No. EXPH204



EXPH204 Bearing 2D drawings and 3D CAD models

Bore Diameter	20 mm
d	20 mm
s	17 mm
A	40 mm
A1	22 mm
B1	43,5 mm
D2	33,3 mm
H	70 mm
H1	15 mm
H2	101 mm
J	95 mm
L	127 mm
L1	48 mm
N	13 mm
N1	19 mm
Thread (G)	M6x1
Weight	0,9 Kg
Basic dynamic load rating (C)	12,8 kN