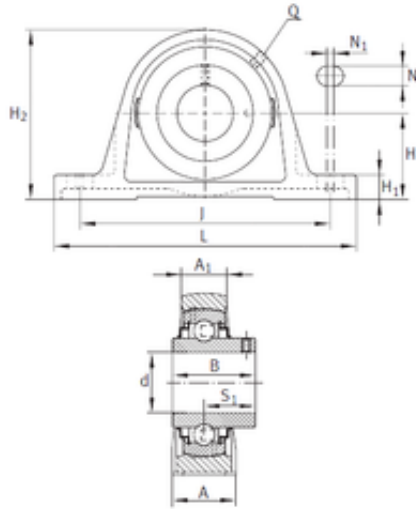




Linna.



INA RAKY2-15/16 unit é s de roulement

Bearing No. RAKY2-15/16

Bore Diameter	74,613 mm
d	74,613 mm
S1	44,501 mm
Thread (Q)	1/8 NPT
A	70,003 mm
A1	50,013 mm
B	77,801 mm
H	84,1 mm
H1	30,607 mm
H2	165,608 mm
J	210,998 mm
L	273 mm
N	24,003 mm
N1	7,011 mm

RAKY2-15/16 Bearing 2D drawings and 3D CAD models